

UNMENTIONED TOLERANCES

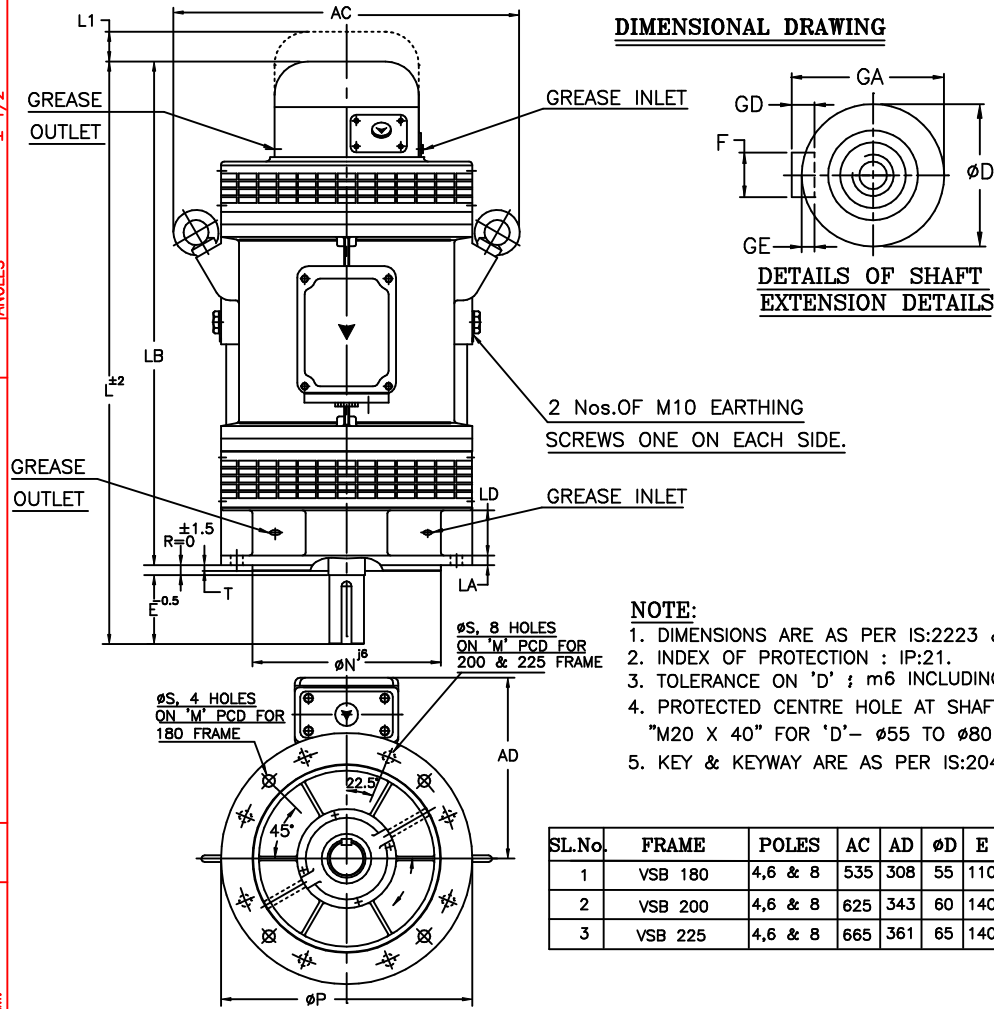
LINEAR	ABOVE 0	6	315	1000
DIMENSIONS (SUPTO)	6	315	1000	2000
(MACHINED) TOL.	±0.2 ±0.5 ±0.8 ±1.2			
ANGLES	± 1/2°			

ALL INFORMATION CONTAINED IN THIS DOCUMENT IS CONFIDENTIAL AND THE PROPERTY OF KIRLOSKAR ELECTRIC CO.LTD. REPRODUCING OF THESE IN ANY FORM IS TO BE DONE WITH THE SPECIFIC PERMISSION OF THE COMPANY.

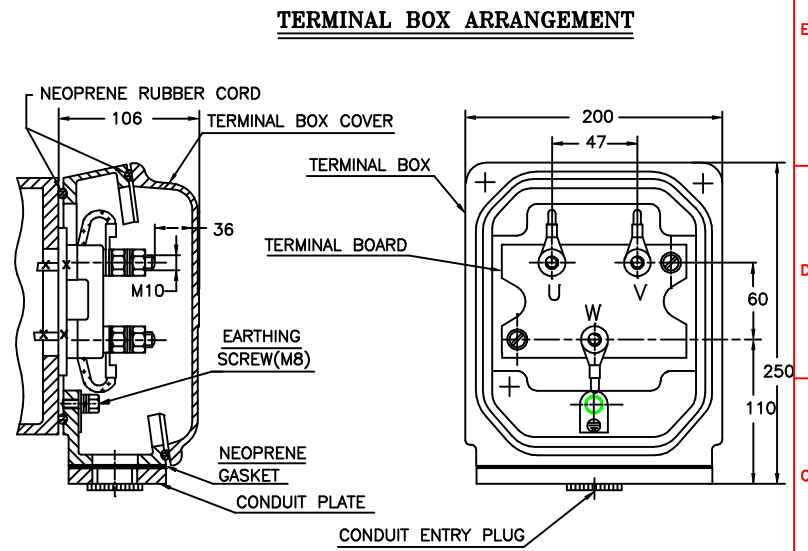
SURFACE ROUGHNESS (MAX) AS PER KSD-02-027

50	12.5	25	1.6	3.2	6.3	0.2	0.4	0.8	0.025	0.05	0.1
OLD	✓	✓	✓	✓	✓	✓	✓	✓	✓	✓	✓
NEW	✓	✓	✓	✓	✓	✓	✓	✓	✓	✓	✓

CHAM: UNMENTIONED UC: RAD: 8 7 6 5



SL.No.	FRAME	POLES	AC	AD	phi D	E	F	GA	GD	GE	L	L1	LA	LB	LD	phi M	phi N	phi P	R	phi S	T
1	VSB 180	4,6 & 8	535	308	55	110	16	59	10	6	980	100	15	870	72	350	300	400	0	19	5
2	VSB 200	4,6 & 8	625	343	60	140	18	64	11	7	1095	120	16	955	75	400	350	450	0	19	5
3	VSB 225	4,6 & 8	665	361	65	140	18	69	11	7	1120	120	18	980	52	500	450	550	0	19	5



ITEM/TAG No.			
RATING			
CABLE SIZE		JOB No. :	
O/A NO.:		CUSTOMER :	
PROJECT :		CONSULTANT :	

**Z122430100JR**

THIS SUPERSEDES ..... FROM dt ..... AS PER DCN No.....  
 THIS SUPERSEDED BY ..... FROM dt ..... AS PER DCN No.....

MATERIAL SPECIFICATION	RAW MATERIAL SIZE	WEIGHT kg	SCALE	
		RM FIN.	NTS	
		- -		

CASTING/FAB REF. \_\_\_\_\_ No.P.S.: -  
 USED ON \_\_\_\_\_ REDRAWN \_\_\_\_\_ CHECKED \_\_\_\_\_ STANDARD \_\_\_\_\_ APPROVED \_\_\_\_\_

**VSB180 TO 225**

TITLE: **DIMENSION SHEET**  
 (WITH TERMINAL BOX ARRANGEMENT)

**32243098R1**

SHEET one of one

**KIRLOSKAR ELECTRIC COMPANY LTD. HUBLI-580030 (INDIA)**

1	-	0122209	REDRAWN IN A NEW FORMAT.	sd/-	21.1.09	PRINTS ISSUED TO
REV.	ZONE	DCN.No.	BRIEF RECORD	SIGNATURE	DATE	PRINTS ISSUED TO
8			7		6	5

FORM No. 02 201 02B (ISSUE 7)